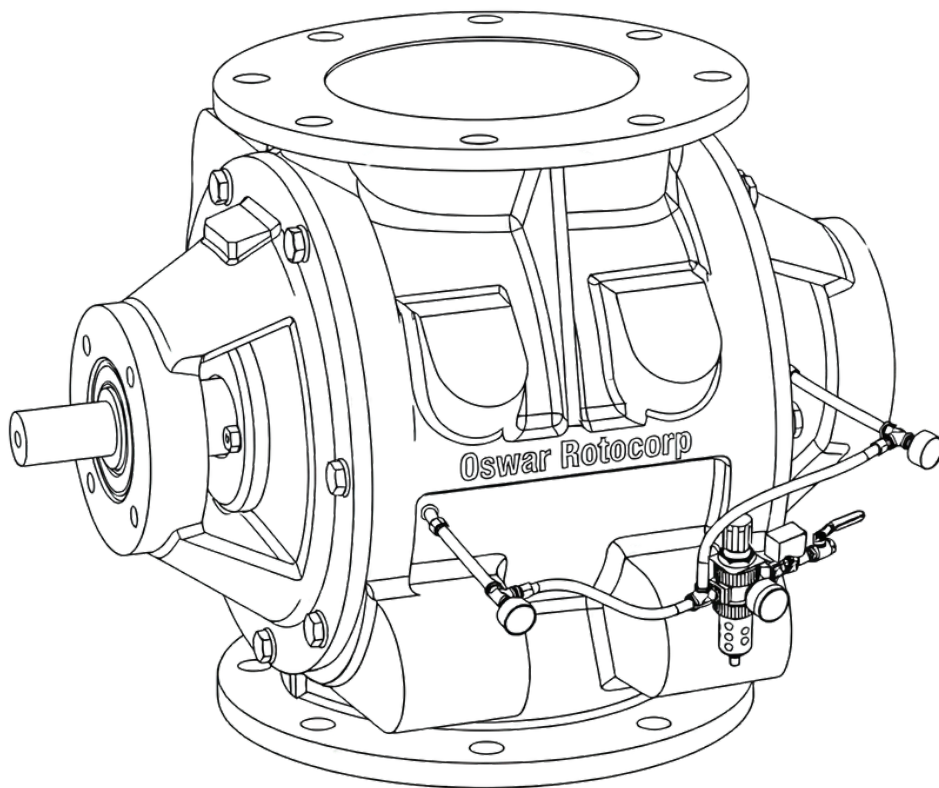


# THE PREMIUM ROTARY AIRLOCK PLATFORM

NEXT-GENERATION PERFORMANCE.  
ENGINEERED WITHOUT COMPROMISE.



**OSWAR**  
rotocorp



The Rotary Valve X Series represents Oswar Rotocorp's premium rotary airlock platform, engineered for superior performance in critical and high-demand industrial applications.

Designed with advanced engineering principles and enhanced structural integrity, the X Series delivers exceptional airlock sealing efficiency, stable volumetric control, and extended lifecycle reliability. This platform integrates optimized rotor dynamics, precision-machined housing geometry, and upgraded sealing systems to achieve higher operational efficiency and reduced energy loss.

## PREMIUM PLATFORM ADVANTAGES

ADVANCED  
ROTOR DYNAMICS  
DESIGN

SUPERIOR  
AIRLOCK SEALING  
EFFICIENCY

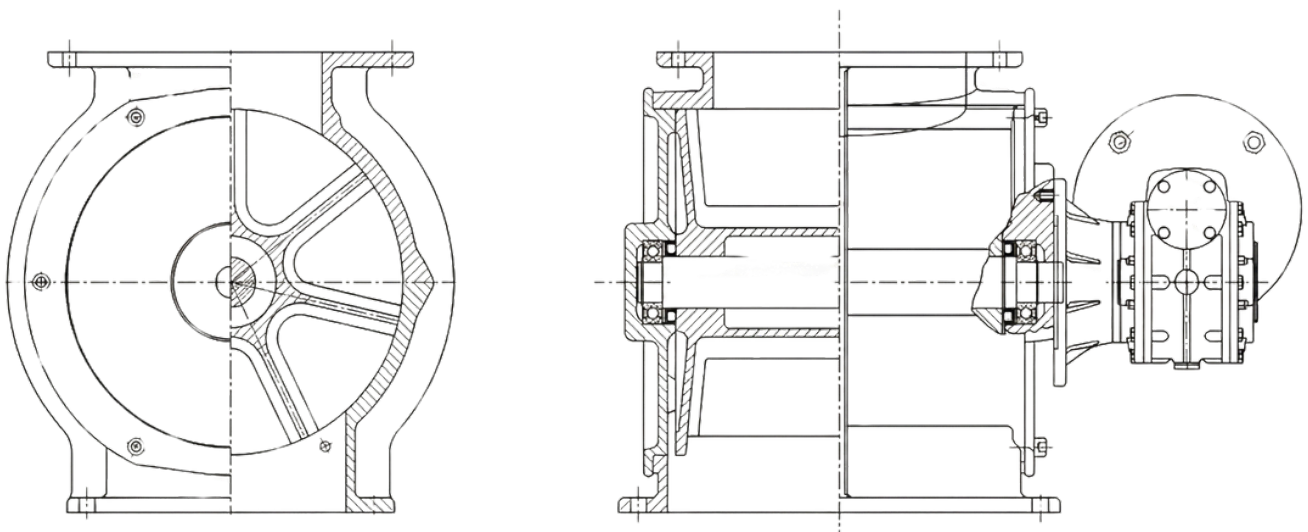
ENHANCED  
STRUCTURAL  
STABILITY

OPTIMIZED  
ENERGY  
PERFORMANCE

# ENGINEERED FOR PRECISION, POWER & LONGEVITY

The Rotary Valve X Series is manufactured using high-precision CNC machining combined with enhanced dimensional control to ensure optimal rotor-to-housing tolerances.

Its upgraded rotor configuration improves material discharge uniformity while maintaining minimal air leakage across pressure differentials. Reinforced housing construction and heavy-duty bearing systems ensure reliable operation in high-capacity and continuous-duty environments.



## ENGINEERING FEATURES

- Precision CNC-machined heavy-duty housing
- Optimized rotor geometry for stable discharge
- Enhanced sealing configuration for minimal leakage
- Reinforced structural construction
- Advanced wear-resistant surface treatments

# PREMIUM PERFORMANCE ACROSS INDUSTRIES

## Typical Applications:

- High-Pressure Pneumatic Conveying
- Kiln & Clinker Discharge
- Boiler Ash Handling
- Mineral & Ore Transfer
- Large-Capacity Silo Discharge
- Dense Phase Conveying Systems

## Industries Served:

- Cement Manufacturing
- Power Generation
- Mining & Mineral Processing
- Steel & Metallurgical Industries
- Chemical Processing Plants



# OSWAR

## rotocorp

### **Corporate Office**

Jaipur, Rajasthan India  
Nagpur, Maharashtra India

### **Sales Inquiries**

[info@oswarrotocorp.com](mailto:info@oswarrotocorp.com)

### **Helpline**

[+44 7917 128505](tel:+447917128505) | +91 77422 36474

**Copyright** © 2026 OSWAR ROTOCORP. All Rights Reserved. OSWAR® is a registered trademark of **OSWAR ROTOCORP**. This brochure makes no offers, representations or warranties (express or implied), and information and data contained in this brochure are for general reference only and may change at any time.